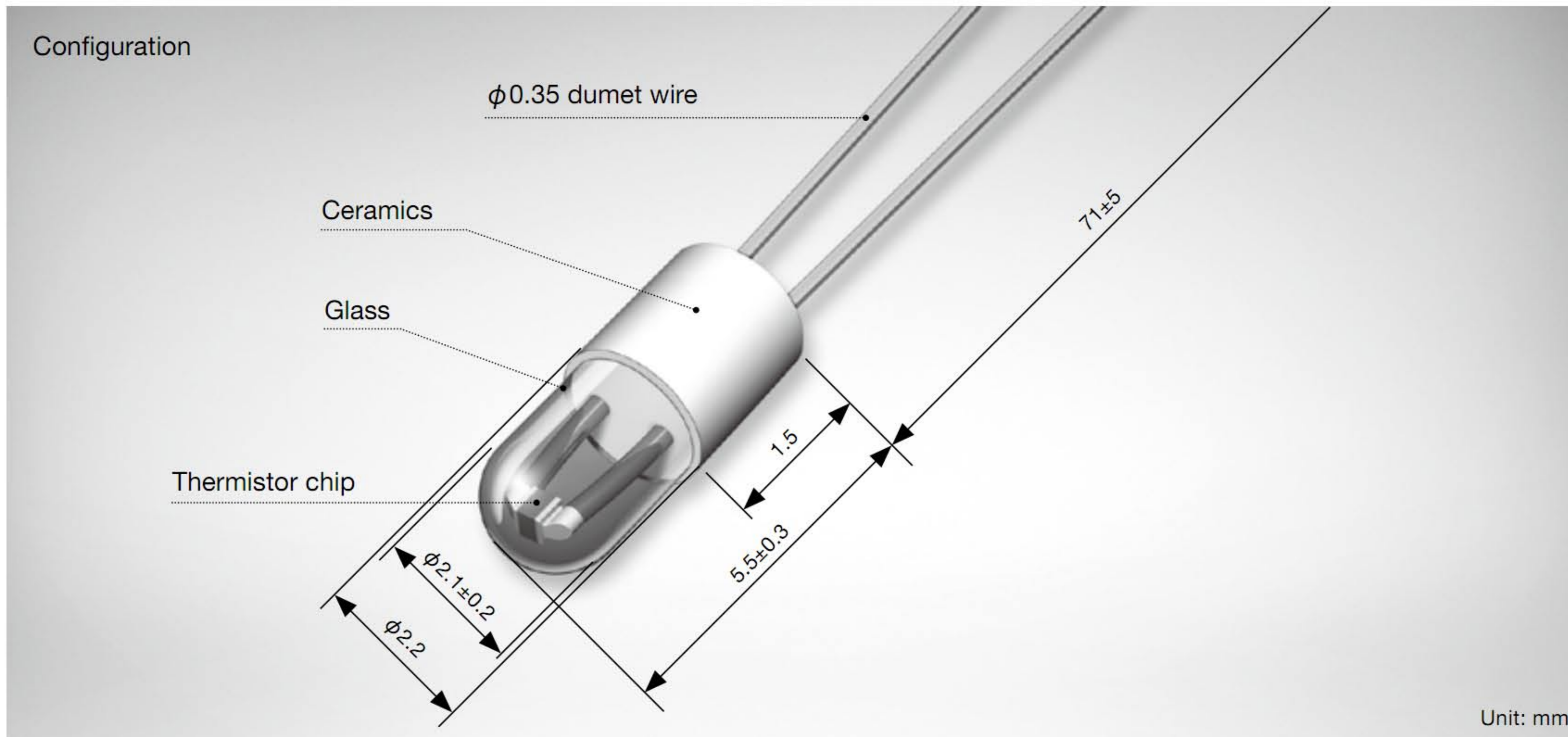


## NS II -E1 thermistor



### A thermistor having high resistance to mechanical stress

The NS II -E1 has remarkably improved insulation and mechanical strength, with its lead wire outlets mechanically enhanced with ceramics. Suitable for use in humid places.

#### Features

- Chip with gold electrodes
- Reinforced glass end with high strength ceramics
- Reduced damage to the glass during stress-giving processing
- Improved moisture resistance secured with enough creepage distance between the lead wires
- Long-term stability in resistance
- High-volume supply in high quality by integrated automatic production

#### Applications

Suitable for sensors to be used where resin injection is required in protection tube processing, such as for automobiles

- Vapor generating thermal equipment
- Automobiles (water, intake air, ATF)
- Environments where heating or freezing is repeated and dew condensation is liable to occur
- Other applications requiring mechanical strength

#### Max. operating temperature

300°C

#### Thermal time constant

Approx. 18 sec.

#### Dissipation constant

Approx. 1.5mW/°C

#### Insulation resistance

Min. 100MΩ at 500VDC

#### Reliability data

