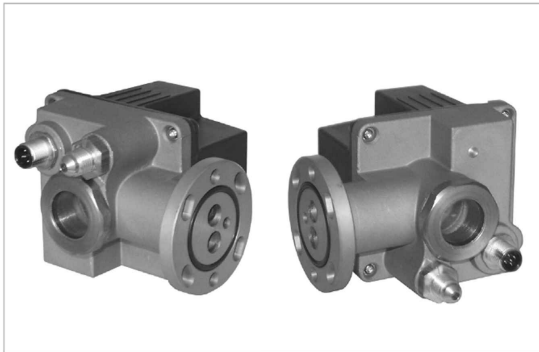
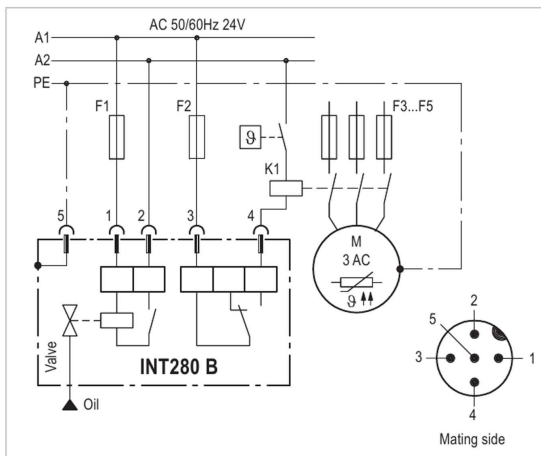


# INT280 B® Oil level regulator

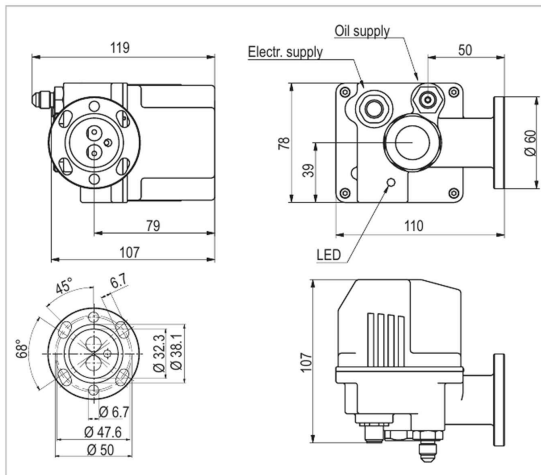
## INT280 B®



INT280 B in the two mounting positions



Wiring diagram



Dimensions in mm

### Application

The INT280 B monitors and controls the oil level in the refrigerant compressors. In particular, the problem of bad oil distribution in multi-compressor packs is solved, thanks to active oil supply from a shared oil-reservoir. The oil level regulator keeps the oil level at half the height of the sight glass.

### Functional description

If the optical monitoring unit detects that the oil level is low, the integrated oil supply solenoid valve is activated by the electronics. Via the solenoid valve, oil is cyclically injected into the compressor crankcase. The INT280 B generates an alarm signal and activates the relay output if the oil level is still too low after a defined period of time. During the "oil deficiency" alarm status, the electronics of the INT280 B continues to operate the solenoid valve, in order to inject oil into the crankcase. The alarm status is automatically reset if the oil level is at half the height of the sight glass.

### LED status display

Level OK	Green is continuously lit
Filling	Green flashes
Oil level too low	Red is continuously lit
Internal error	Red flashes

### Installation instructions

The user has to ensure that the connections are properly tight. The electrical connection needs to be carried out according to the wiring diagram.

**!** The unit must be connected by trained electrical personnel. All valid European and national standards for connecting electrical equipment and cooling installations must be observed.

### Technical specifications

Supply voltage	AC 24V 50/60Hz ±10%, 15VA
Permitted ambient temperature	-30...+60°C
Medium temperature	-30...+100°C
Operating pressure	-1...+50bar
Differential pressure	1-25bar (across valve)
Output relay	AC 24V, 2.5A, C300 >12V AC/DC >20mA
Mechanical service life	Approx. 10 <sup>6</sup> switching cycles
Connection type	Plug M12
Protection class acc. to EN 60529	IP65
Housing material	Aluminium PA glass-fibre-reinforced
Flange connection	3- /4- hole flange
Oil connection	7/16"-20 UNF
Permitted oils	Standard mineral and ester oil, without additives
Permitted refrigerants	All non-corrosive, non-flammable standard refrigerants
Dimensions	Refer to dimensions in mm
Weight	Approx. 800g
Check base	EN 61000-6-2 EN 61000-6-3 EN 61010-1

### Order data

AC 24V	<b>31 S 381 S41</b>
Accessories on request	

Technical changes reserved